

The world's biggest
timepiece event



HKTDC
Hong Kong Watch & Clock Fair
4-8 September 2013
Hong Kong convention and Exhibition Centre

时代中心
香港，九龙，长沙湾道928-930号，时代中心 201室。
电话号码：852-2658 0700
电邮：dng@bergeon.ch

News²⁰¹³

新产品²⁰¹³

B
BERGEON
Depuis 1791



N° 7870-D

New DUNE Watchmaker Bench

This new execution corresponds to ergonomic and esthetic requirements.

Wooden, aluminium and stainless steel structure.

Step less electrical height adjustment with 4 memory positions.

Ball joint armrests made of imitation leather.

Assisted drawer closing.

DUNE 钟表匠工作台

此新产品乃依人体工程学而研制。
不锈钢、铝及木材结构。

四组记忆 电控升降。

可调人造皮手靠。

缓进式抽屉。

N° 8899-X



Blades: non-magnetic stainless steel

刀玉：无磁不锈钢



Ø 0.50 - 0.60 - 0.80 - 1.00 - 1.20 - 1.40 - 1.60 - 2.00 - 2.50 - 3.00 mm

Blades: non-magnetic CuBe

刀玉：无磁铍铜



N° 8899-C



**Ergonomic non-magnetic
screwdrivers**

Shank: Anodized aluminium.

Handle: TPE elastomer coat.

Head: Self-lubricating, synthetic POM material.

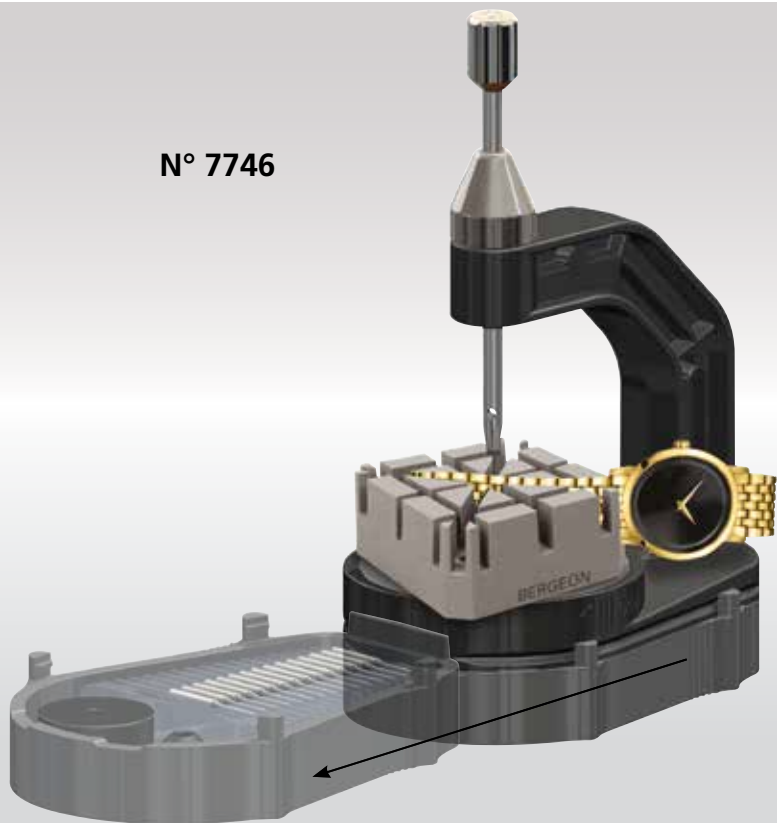
符合人体工程学的非磁性螺丝刀

柄：铝阳极氧化膜。

处理：TPE弹性大衣。

头：自润滑，合成POM材料。

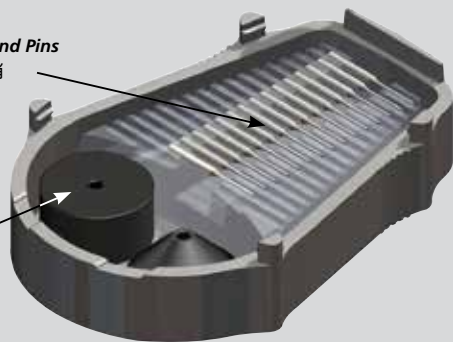
N° 7746



Storage support
位于基座的储存盒

Blades and Pins
刀片和销

Bases for height
可调高度垫台



Multifunction Press

To insert and remove pins as well as to screw and unscrew watch bracelets.

Antiskid rubber to protect the working surface.

多用途按压器

供安装/拆除表带销针或螺丝。
防滑胶垫。

N° 7718-1A



N° 7719-2A



N° 7721



N° 7720-5



Automatic precision oilers

Range of application:

Everywhere a carefully and precise quantity of oil has to be deposited.

Easy use.

Inside the oiler, oil is protected against dust.

Supplied on base.

自动油笔

应用范围：

适用于所有需要精确施油量的工件。

防尘保护。

附笔座。

N° 7247-T



The horizontally and vertically adjustable table allows a very good stability.

可调高度的丞托台确保机芯/手表无论在垂直/水平放置时的稳定性。

Winding machine for mechanic and automatic watches

The new tool for winding watches through the crown allows to control the following functions on movements with factory stem as well as on complete watches: Winding, date setting and time setting.

Technicals characteristics:

- Number of winding revolutions: 0 to 999
- Torque control: 5 to 30mNm
- Revolution speed: 60 to 300 Rpm.

机械及自动手表上条仪

此新仪器可用于机芯/成表，通过附有表冠的霸芯来：上条、调时及调整日历等功能。

技术参数：

- 可调转数：0 至 999
- 可调扭力：5 至 30 mNm
- 可调转速：60 至 300 Rpm.





N° 6950-KIT050



Digital Torsiometer

To control or measure the torque of dynamometrical screwdrivers

- Display: 0.05mNm / 0.05cNm
- 3 jaws universal chuck for clamping
- Adaptor-kit for quick controlling
- Windows driver, software to export measurements into Excel
- Precision: $\pm 2\%$
- Supplied with calibration certificate

套装力矩测试仪

用于测试扭力螺丝力的力矩。

- 显示：0.05mNm / 0.05cNm。
- 三爪式多用途夹头。
- 专用套入式套件。
- Windows Excel软件供输出测量数据。
- 精确度： $\pm 2\%$
- 出厂附较准证书。

N° 7225



LED Lamp

Reflector made of synthetic, shockproof material and an acrylic glass cover.

Flexible and adjustable arm, luminaire head can be varied in any way.

Electronic ballast

Rocker switch

Cable length: 1,50 m.

24 LED: 31 Watt

Light: 5000 K

Reflector: 320 x 110 mm.

发光二极管台灯

反光盘乃防震物料而盖片则由亚克力制品。

可移动臂杆与灯盘。

电子稳压器。摇动式开关。

电线长度：1.5米。

24发光二极管：31瓦特。

光度：5000K可调。

光盘尺寸：320 x 110 mm。



N° 7943

Air/Vacuum Kit for Bench

Complete system with integrated precision blower and vacuum brush.

To enhance ergonomics, the pipes are adjustable, flexible and separable.

装于工作台的吹/吸尘套件

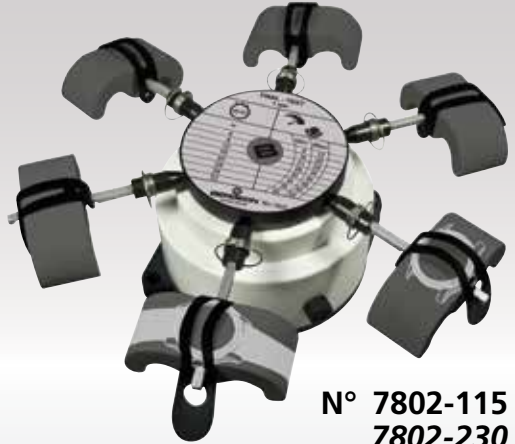
包括精密吹管与吸尘扫。
可调柔性套管以方便使用。



Safety
 安全



Support
 表带座



N° 7802-115
7802-230
Final Test - 1 rpm
60 dB



N° 7803-115
7803-230
Automatic Test - 4 rpm
60 dB

Testing Machines

- For testing watch working
- For automatic winding.
- Can be used horizontal and vertical.
- New secured watch fixing, synthetic foam.
- Rotation converting switch.
- For watches with or without strap.

机械及自动手表上条仪

- 供测试自动上条系统。
- 供自动手表上条。
- 可水平或垂直使用。
- 合成泡沫胶制表垫供安全固定有或无带手表。
- 可调旋向。

N° 5393



Casing cushion

New type of holder with soft, non-slip material on both sides leaving no marks with washer to compensate exceeding of the horns while pushing the case back on the cushion.

Washable with soapy water or by using the Bergeon 7040 wipers.

表垫

新柔性材料制表垫。防滑，可两面使用。
 可清洗或用Bergeon 7040抹纸来清洁。



N° 7922



Tool for closing barrels

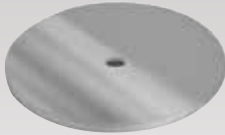
Allows easy fitting of the barrel cover with his drum.

上条盒闭合工具

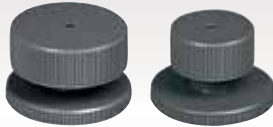
供安全、快捷闭合上条盒。



Mirror plate
反光镜片



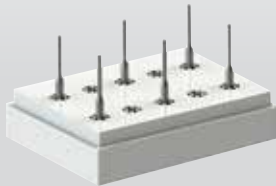
Bases for height
可调高度垫台



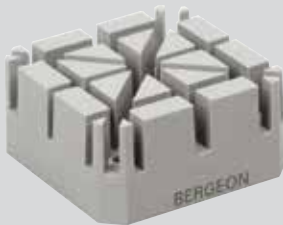
Blades
螺丝刀肉



Pins
销针



Support
表带座



N° 7745-100



Multifunction Press

To insert and remove pins as well as to screw and unscrew watch bracelets.
Antiskid rubber to protect the working surface.

多用途按压器

供安装/拆除表带销针或螺丝。
防滑胶垫。

N° 30180 -A-C1



○ Ø 8, 9, 10 mm

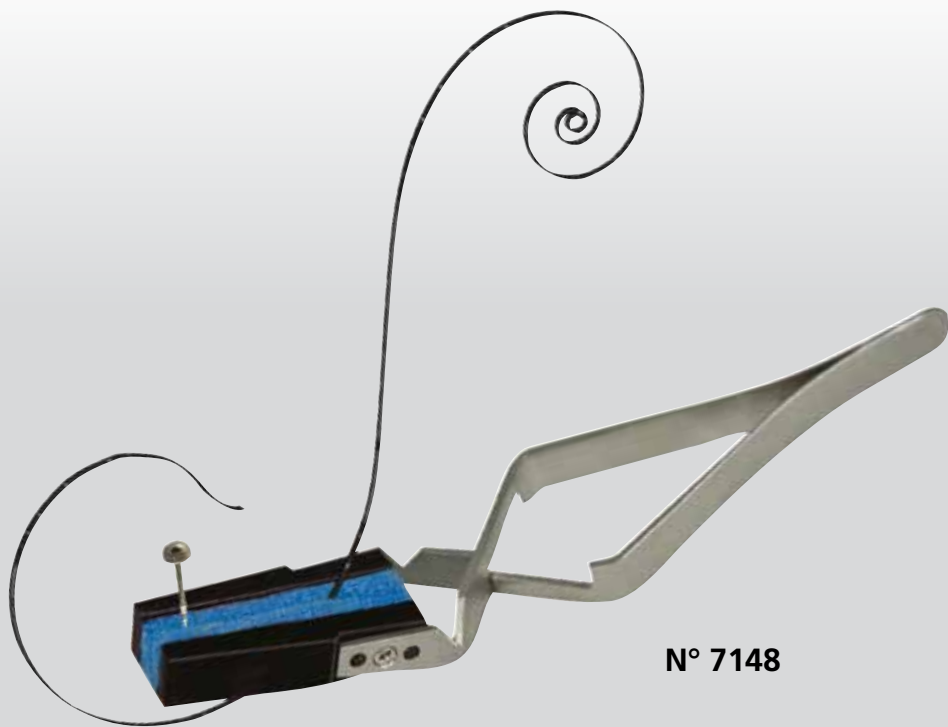
● Ø 10 mm

Oil Cup Stand in die-cast alloy

4 containers made of black or white ceramic.
Colour contrast for a better visibility of the oil.

合金铸制油杯座

4个黑或白色陶瓷制油杯。
可供清楚分辨所用润滑油。



N° 7148

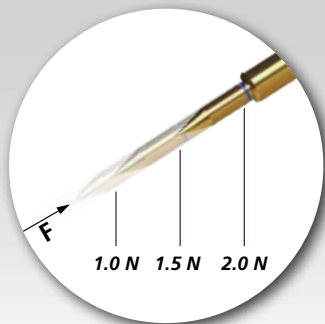
Tweezers to lubricate

Negative tweezers with soakeable foam for lubricating.

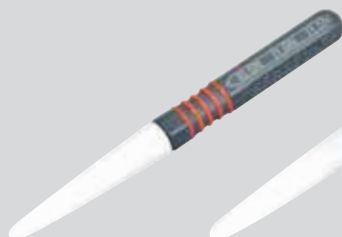
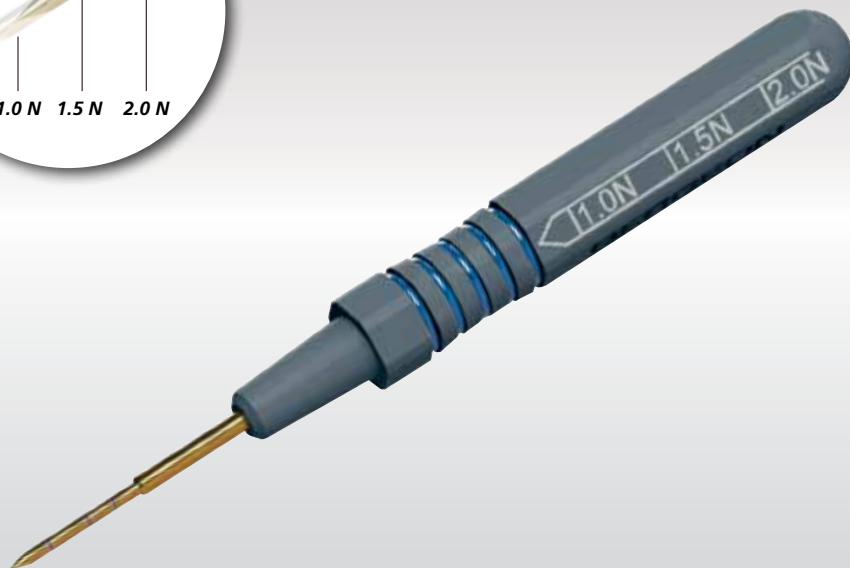
润滑龙芯(把芯)/发条用镊子

附吸油功能泡沫棉的反向镊子。

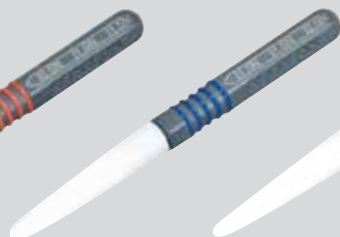
N° 7941



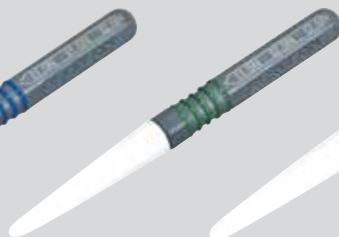
1.0 N 1.5 N 2.0 N



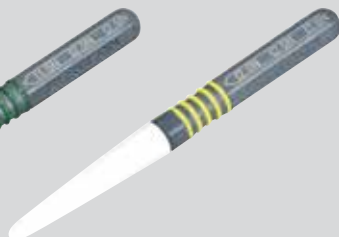
N° 7941-0100
0.5 / 1.0 / 1.5 N



N° 7941-0150
1.0 / 1.5 / 2.0 N



N° 7941-0200
1.5 / 2.0 / 2.5 N



N° 7941-0250
2.0 / 2.5 / 3.0 N

Linear Force Gauge

Allows the fixation control of applied chapters and hour indexes.

线性测力计

供测试装于表盘上的数字符之力矩。

N° 7953-S
Soft - 柔性

Tips made of natural fibre
天然纤维触须



Sensofibre

Tool for controlling the mobility of the wheelwork or mobile parts of a watch.

N° 7953-H
Hard - 硬性

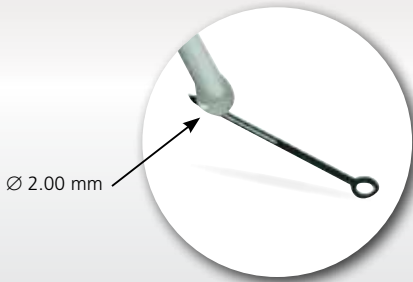
Tips made of synthetic fibre
合成纤维触须



Sensofibre

供测量手表齿轮或其他转动部件的工具。

N° 7007-21



**Adhesive cleaning
and handling swabs**

Compressed paper handle, polyurethane head.
Washable and re-usable.
Total length: 74 mm.

N° 7007-22

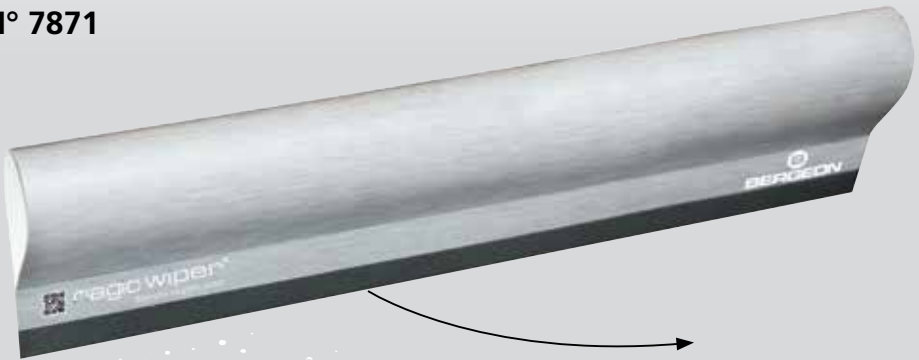


黏性清潔棒

壓縮紙制棒杆，聚氨酯制清潔頭。
可清洗及重用。
總長度：74 mm。



N° 7871



Magic Wiper

For recovering small metal pieces.
This paper component-collector is tearproof and washable.
Easy use and cleaning.
Consisting of 2 double-sided magnet straps.
Supplied flat. Folded dimension: 285 x 82 mm.

Magic Wiper

供寻找微细金属件。
防撕裂及可清洗物料制造。
易于使用及清洁。
含2双面磁带。
以单张式发货。折合后尺寸：285 x 82 mm。

N° 7938



Black&White Toolkit

Customizable toolkit made of imitation leather, equipped with high quality tools: 5 screwdrivers, tweezer, Swiss army knife, loupe and microfiber cloth.

黑与白套装工具

可供订制的人造皮套装工具，内含高质工具：5支螺丝刀、镊子、瑞士军刀、放大镜与微纤抹布。



Find all our products online
在线查找我司产品

www.bergeon.ch 

 [BergeonSA](https://www.facebook.com/BergeonSA)

Tools and equipment for watchmakers, jewellers, precision engineering

BERGEON SA

11, av. du Technicum
CH - 2400 Le Locle

Tél. + 41 32 933 60 00
Fax + 41 32 933 60 01

www.bergeon.ch
info@bergeon.ch